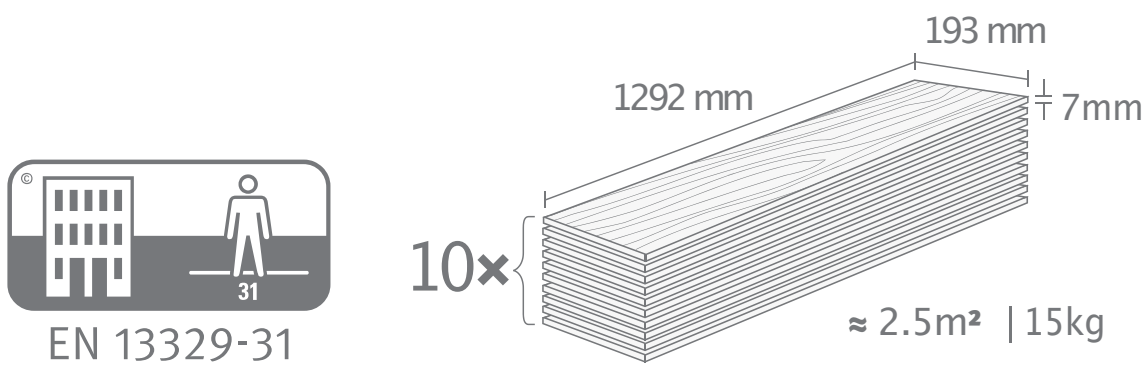


MORE FROM WOOD.



EGGER Laminate Flooring



EN 13329-31

10*

Classic

CLIC it!

7 mm

! 40-70% RH > 18°C

500mm x 500mm

48h

40-70% RH > 18°C

31

HOHENSTEIN Antibacterial

EMMISSION CLASS FOR BUILDING MATERIALS M1

EMMISSIONS DANS L'AIR INTERIEUR A+ A B C

CARB2 compliant

PEFC

EPLF EUROPEAN LAMINATE MADE WITH WOOD

www.egger.com

EGGER Holzwerkstoffe Wismar GmbH & Co. KG
Am Haffeld 1
23970 Wismar
T +49 3841 301-0, F +49 3841 301-20222
flooring@egger.com

CLIC it!

VIDEO

www.egger.com/qr-installation-clic

A

A1 A2 A3 A4 A5 A6 A7 A8

CT: < 2 CM%
CA/CAF: < 0,5 CM%

CT: < 1,8 CM%
CA/CAF: < 0,3 CM%

*KRL-methode: ≤ 75%RHBS325 / ≤ 85%RHNTBuild439 / ≤ 80%RHASTMF2170

B

B1 B2 B3 B4 B5 B6 B7 B8 B9 B10 B11 B12 B13 B14 B15 B16 B17

silenzio

Details: www.egger.com

C

DOMESTIC AREA COMMERCIAL AREA

FLOATING INSTALLATION

Option A

C1a C2a C3a C4a C5a C6a C7a C8a

Option B

C1b C2b C3b C4b C5b C6b C7b C8b

Option C

C1c C2c C3c C4c C5c C6c C7c C8c

D

D1 D2 D3 D4 D5 D6 D7 D8 D9 D10 D11

min. 2x2 m COMMERCIAL AREA

< 15 min.

Notices of provisional status. These processing instructions have been carefully drawn up to the best of our knowledge. It is intended for information only and does not constitute a guarantee in terms of product properties or its suitability for specific applications. We accept no liability for any mistakes, errors in standards, or printing errors. In addition, technical modifications may result from the continuous development of EGGER floorings, as well as from changes to standards and public law documents. Subject to technical modifications and printing errors.

Service-Center

AT: +43 800 888 111 DE: +49 800 344 3745
CH: +41 41 349 50 05 IT: +39 800 782 554
FR/ES/PT: 00 800 4000 8800 UK: +44 1434 600 126
RO: +40 800 500 111

EF2422 11/2020